

FK-280PA/SA

MABUCHI MOTOR

Carbon-brush motors

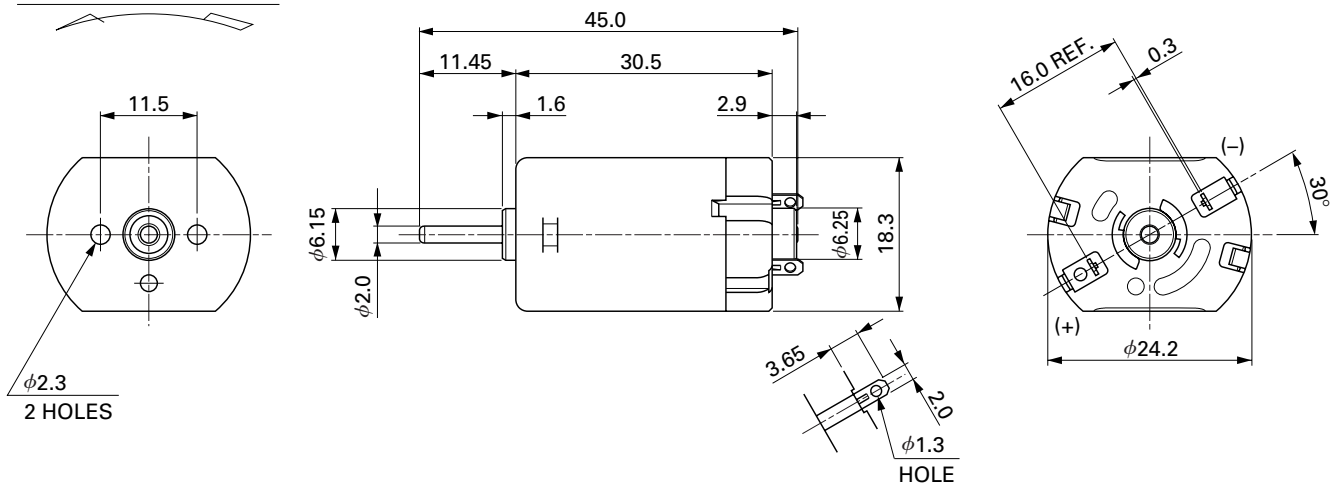
OUTPUT : 0.4W~20W (APPROX)

WEIGHT : 36g (APPROX)

Typical Applications Office Automation Equipment : Printer
 Precision Instruments : Vending Machine
 Automotive Products : Retractable Rearview Mirror / Door Lock Actuator

MODEL	VOLTAGE		NO LOAD		AT MAXIMUM EFFICIENCY				STALL			
	OPERATING RANGE	NOMINAL	SPEED r/min	CURRENT A	SPEED r/min	CURRENT A	TORQUE mN·m	TORQUE g·cm	OUTPUT W	TORQUE mN·m	TORQUE g·cm	CURRENT A
FK-280PA-20150	10~15	12V CONSTANT	12000	0.10	10330	0.62	4.45	45.4	4.81	31.9	325	3.80
FK-280PA-18165	10~15	12V CONSTANT	10500	0.090	9000	0.54	4.12	42.0	3.88	28.9	295	3.25
FK-280SA-18165	10~15	12V CONSTANT	12300	0.075	10710	0.50	3.40	34.7	3.81	26.3	268	3.40

DIRECTION OF ROTATION



UNIT: MILLIMETERS

FK-280PA-20150

12.0V

FK-280SA-18165

12.0V

