

USER GUIDE AND SPECIFICATIONS

NI USB-6008/6009

Français Deutsch 日本語 한국어 简体中文
ni.com/manuals

This user guide describes how to use the National Instruments USB-6008/6009 data acquisition (DAQ) devices and lists specifications.

Introduction

The NI USB-6008/6009 provides connection to eight analog input (AI) channels, two analog output (AO) channels, 12 digital input/output (DIO) channels, and a 32-bit counter with a Full-Speed USB interface.



Note This manual revision updates naming conventions to reflect the conventions used in NI-DAQmx. Table 1 notes the correlation between the old and updated names.

Table 1: Digital Output Driver Type Naming Conventions

Hardware Functionality	NI-DAQmx Terminology
Open-drain	Open collector
Push-pull	Active drive

Dimensions

Figure 3 illustrates the dimensions of the NI USB-6008/6009 device.

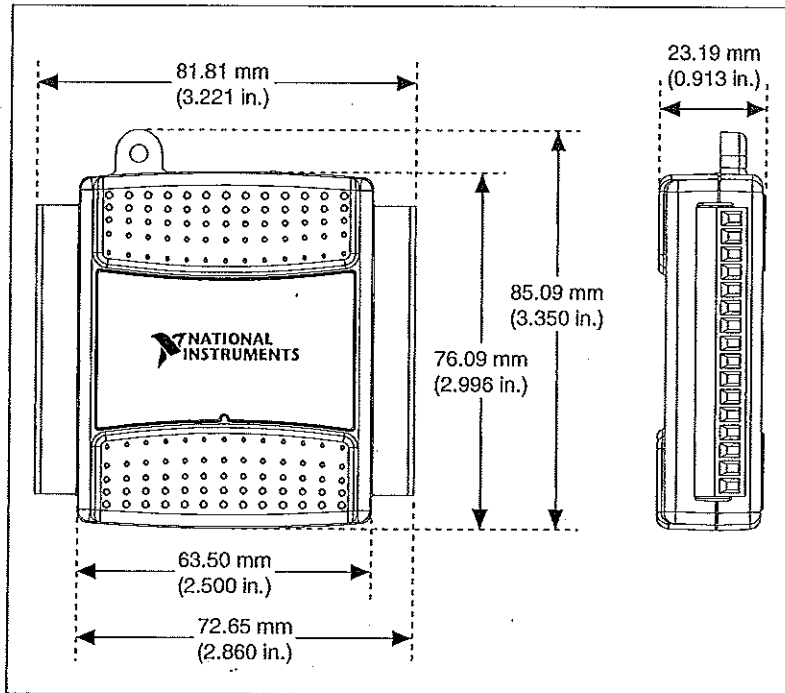


Figure 3. NI USB-6008/6009 in Millimeters (Inches)

Safety Guidelines



Caution Operate the NI USB-6008/6009 only as described in these operating instructions.

The following section contains important safety information that you must follow when installing and using the NI USB-6008/6009.



Caution Do not operate the NI USB-6008/6009 in a manner not specified in this document. Misuse of the device can result in a hazard. You can compromise the safety protection built into the device if the device is damaged in any way. If the device is damaged, contact National Instruments for repair.



Caution Do not substitute parts or modify the device except as described in this document. Use the device only with the chassis, modules, accessories, and cables specified in the installation instructions. You must have all covers and filler panels installed during operation of the device.

- Measurement Category II is for measurements performed on circuits directly connected to the electrical distribution system. This category refers to local-level electrical distribution, such as that provided by a standard wall outlet (for example, 115 V for U.S. or 230 V for Europe). Examples of Measurement Category II are measurements performed on household appliances, portable tools, and similar E Series devices.
- Measurement Category III is for measurements performed in the building installation at the distribution level. This category refers to measurements on hard-wired equipment such as equipment in fixed installations, distribution boards, and circuit breakers. Other examples are wiring, including cables, bus-bars, junction boxes, switches, socket-outlets in the fixed installation, and stationary motors with permanent connections to fixed installations.
- Measurement Category IV is for measurements performed at the primary electrical supply installation (<1,000 V). Examples include electricity meters and measurements on primary overcurrent protection devices and on ripple control units.

Related Documentation

Each application software package and driver includes information about writing applications for taking measurements and controlling measurement devices. The following references to documents assume you have NI-DAQmx 8.7 or later, and where applicable, version 7.1 or later of the NI application software.

NI-DAQmx for Windows

The *DAQ Getting Started Guide* describes how to install your NI-DAQmx for Windows software, how to install your NI-DAQmx-supported DAQ device, and how to confirm that your device is operating properly. Select **Start»All Programs»National Instruments»NI-DAQ»DAQ Getting Started Guide**.

The *NI-DAQ Readme* lists which devices are supported by this version of NI-DAQ. Select **Start»All Programs»National Instruments»NI-DAQ»NI-DAQ Readme**.

The *NI-DAQmx Help* contains general information about measurement concepts, key NI-DAQmx concepts, and common applications that are applicable to all programming environments. Select **Start»All Programs»National Instruments»NI-DAQ»NI-DAQmx Help**.



Note For information about non-Windows operating system support, refer to ni.com/info and enter BaseGSGML.

can create channels and tasks, and write your own applications in your ADE using the NI-DAQmx API.

For help with NI-DAQmx methods and properties, refer to the NI-DAQmx .NET Class Library or the NI-DAQmx Visual C++ Class Library included in the *NI Measurement Studio Help*. For general help with programming in Measurement Studio, refer to the *NI Measurement Studio Help*, which is integrated with the Microsoft Visual Studio .NET help. To view this help file in Visual Studio .NET, select **Measurement Studio»NI Measurement Studio Help**.

To create an application in Visual C++, Visual C#, or Visual Basic .NET, follow these general steps:

1. In Visual Studio .NET, select **File»New»Project** to launch the New Project dialog box.
2. Find the Measurement Studio folder for the language you want to create a program in.
3. Choose a project type. You add DAQ tasks as a part of this step.

ANSI C without NI Application Software

The *NI-DAQmx Help* contains API overviews and general information about measurement concepts. Select **Start»All Programs»National Instruments»NI-DAQ»NI-DAQmx Help**.

The *NI-DAQmx C Reference Help* describes the NI-DAQmx Library functions, which you can use with National Instruments data acquisition devices to develop instrumentation, acquisition, and control applications. Select **Start»All Programs»National Instruments»NI-DAQ»NI-DAQmx C Reference Help**.

.NET Languages without NI Application Software

With the Microsoft .NET Framework version 1.1 or later, you can use NI-DAQmx to create applications using Visual C# and Visual Basic .NET without Measurement Studio. You need Microsoft Visual Studio .NET 2003 or Microsoft Visual Studio 2005 for the API documentation to be installed.

The installed documentation contains the NI-DAQmx API overview, measurement tasks and concepts, and function reference. This help is integrated into the Visual Studio .NET documentation. To view the NI-DAQmx .NET documentation, go to **Start»All Programs»National Instruments»NI-DAQ»NI-DAQmx .NET Reference Help**. Expand **NI Measurement Studio Help»NI Measurement Studio .NET Class Library»Reference** to view the function reference. Expand **NI Measurement Studio Help»NI Measurement Studio .NET Class**



Note All NI-DAQmx Base documentation for Mac OS X is installed at /Applications/National Instruments/NI-DAQmx Base/documentation.

Training Courses

If you need more help getting started developing an application with NI products, NI offers training courses. To enroll in a course or obtain a detailed course outline, refer to ni.com/training.

Technical Support on the Web

For additional support, refer to ni.com/support or zone.ni.com.

Installing the Software

Software support for the NI USB-6008/6009 for Windows Vista/XP/2000 is provided by NI-DAQmx. The *DAQ Getting Started Guide*, which you can download at ni.com/manuals, offers NI-DAQmx users step-by-step instructions for installing software and hardware, configuring channels and tasks, and getting started developing an application.



Note For information about non-Windows operating system support, refer to ni.com/info and enter BaseGSGML.

Installing Other Software

If you are using other software, refer to the installation instructions that accompany your software.

Example Programs

The NI-DAQmx CD contains example programs that you can use to get started programming with the NI USB-6008/6009. Refer to the *NI-DAQmx for USB Devices Getting Started Guide* that shipped with your device, and is also accessible from **Start»All Programs»National Instruments»NI-DAQ**, for more information.

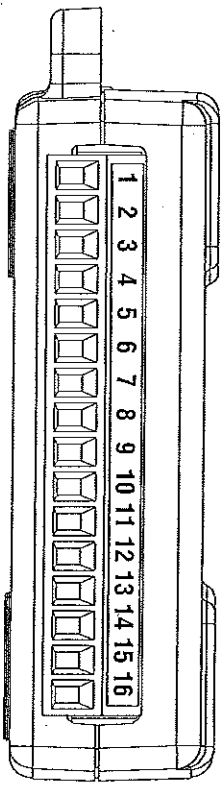
The NI-DAQmx Base software ships with example programs you can use to get started programming with the NI USB-6008/6009. Refer to the *NI-DAQmx Base Getting Started Guide* that shipped with your device, and is also accessible from **Start»All Programs»National Instruments»NI-DAQmx Base»Examples**, for more information.



Note For information about non-Windows operating system support, refer to ni.com/info and enter BaseGSGML.

Table 4 lists the analog terminal assignments, and Table 5 lists the digital terminal assignments.

Table 4. Analog Terminal Assignments

Module	Terminal	Signal, Single-Ended Mode	Signal, Differential Mode
	1	GND	GND
	2	AI 0	AI 0+
	3	AI 4	AI 0-
	4	GND	GND
	5	AI 1	AI 1+
	6	AI 5	AI 1-
	7	GND	GND
	8	AI 2	AI 2+
	9	AI 6	AI 2-
	10	GND	GND
	11	AI 3	AI 3+
	12	AI 7	AI 3-
	13	GND	GND
	14	AO 0	AO 0
	15	AO 1	AO 1
	16	GND	GND

Signal Descriptions

Table 6 describes the signals available on the I/O connectors.

Table 6. Signal Descriptions

Signal Name	Reference	Direction	Description
GND	—	—	Ground —The reference point for the single-ended AI measurements, bias current return point for differential mode measurements, AO voltages, digital signals at the I/O connector, +5 VDC supply, and the +2.5 VDC reference.
AI <0..7>	Varies	Input	Analog Input Channels 0 to 7 —For single-ended measurements, each signal is an analog input voltage channel. For differential measurements, AI 0 and AI 4 are the positive and negative inputs of differential analog input channel 0. The following signal pairs also form differential input channels: <AI 1, AI 5>, <AI 2, AI 6>, and <AI 3, AI 7>.
AO 0	GND	Output	Analog Channel 0 Output —Supplies the voltage output of AO channel 0.
AO 1	GND	Output	Analog Channel 1 Output —Supplies the voltage output of AO channel 1.
P1.<0..3> P0.<0..7>	GND	Input or Output	Digital I/O Signals —You can individually configure each signal as an input or output.
+2.5 V	GND	Output	+2.5 V External Reference —Provides a reference for wrap-back testing.
+5 V	GND	Output	+5 V Power Source —Provides +5 V power up to 200 mA.
PFI 0	GND	Input	PFI 0 —This pin is configurable as either a digital trigger or an event counter input.

AI FIFO

The NI USB-6008/6009 can perform both single and multiple A/D conversions of a fixed or infinite number of samples. A first-in-first-out (FIFO) buffer holds data during AI acquisitions to ensure that no data is lost.

Analog Input Modes

You can configure the AI channels on the NI USB-6008/6009 to take single-ended or differential measurements. Refer to Table 6 for more information about I/O connections for single-ended or differential measurements.

Connecting Differential Voltage Signals

For differential signals, connect the positive lead of the signal to the AI+ terminal, and the negative lead to the AI- terminal.

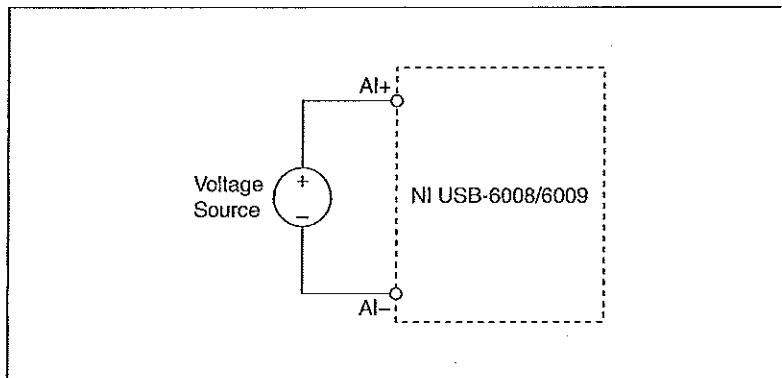


Figure 8. Connecting a Differential Voltage Signal

The differential input mode can measure ± 20 V signals in the ± 20 V range. However, the maximum voltage on any one pin is ± 10 V with respect to GND. For example, if AI 1 is +10 V and AI 5 is -10 V, then the measurement returned from the device is +20 V.

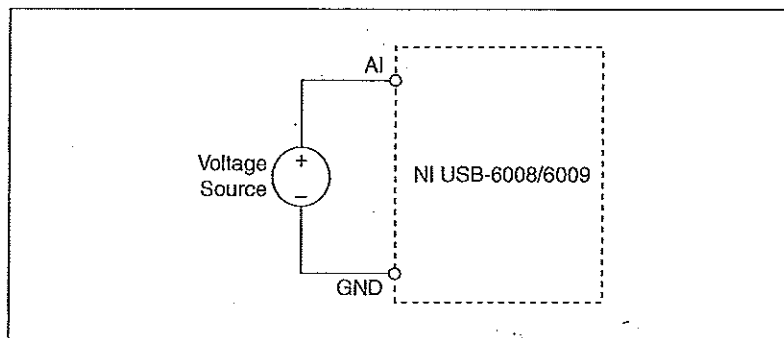


Figure 11. Connecting a Referenced Single-Ended Voltage Signal

Digital Trigger

When an AI task is defined, you can configure PFI 0 as a digital trigger input. When the digital trigger is enabled, the AI task waits for a rising or falling edge on PFI 0 before starting the acquisition. To use ai/Start Trigger with a digital source, specify PFI 0 as the source and select rising or falling edge.

Analog Output

The NI USB-6008/6009 has two independent AO channels that can generate outputs from 0–5 V. All updates of AO lines are software-timed.

Analog Output Circuitry

Figure 12 illustrates the analog output circuitry for the NI USB-6008/6009.

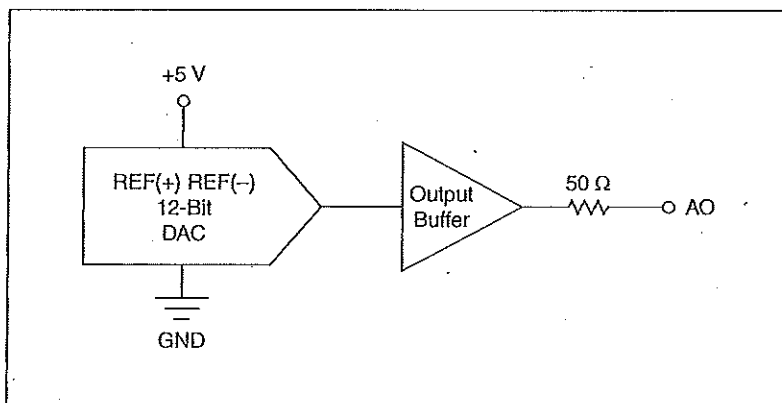


Figure 12. Analog Output Circuitry

Digital I/O Circuitry

Figure 14 shows P0.<0..7> connected to example signals configured as digital inputs and digital outputs. You can configure P1.<0..3> similarly.

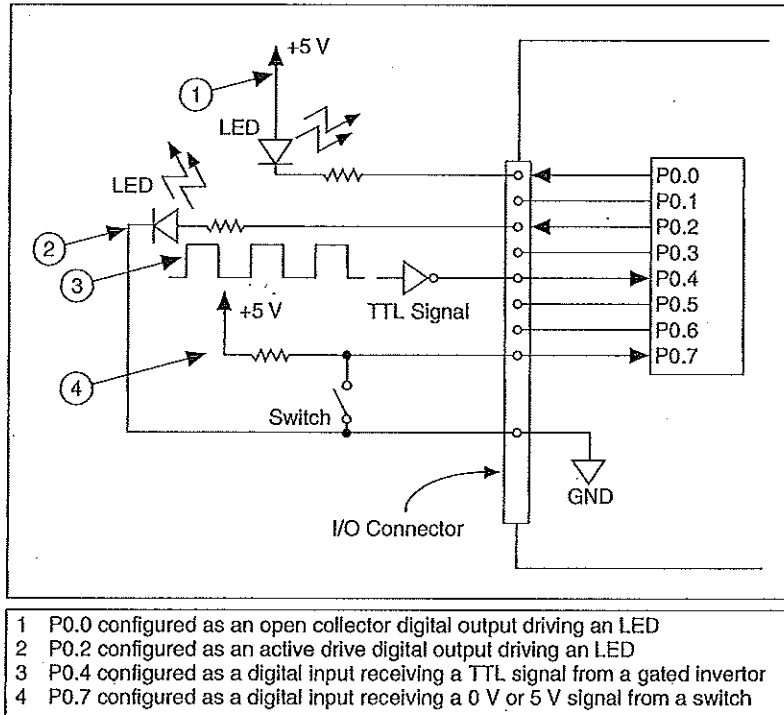


Figure 14. Example of Connecting a Load



Caution Exceeding the maximum input voltage ratings or maximum output ratings, which are listed in the *Specifications* section, can damage the device and the computer. National Instruments is not liable for any damage resulting from such signal connections.

Source/Sink Information

The default configuration of the NI USB-6008/6009 DIO ports is open collector, allowing 5 V operation, with an onboard 4.7 k Ω pull-up resistor. An external user-provided pull-up resistor can be added to increase the source current drive up to a 8.5 mA limit per line as shown in Figure 15.

The NI USB-6009 ports can also be configured as active drive using the NI-DAQmx API, allowing 3.3 V operation with a source/sink current limit of ± 8.5 mA. Refer to the *NI-DAQmx Help* for more information about how to set the DIO configuration.

I/O Protection

To protect the NI USB-6008/6009 against overvoltage, undervoltage, and overcurrent conditions, as well as ESD events, you should avoid these fault conditions by using the following guidelines:

- If you configure a DIO line as an output, do not connect it to any external signal source, ground signal, or power supply.
- If you configure a DIO line as an output, understand the current requirements of the load connected to these signals. Do not exceed the specified current output limits of the DAQ device.

National Instruments has several signal conditioning solutions for digital applications requiring high current drive.

- If you configure a DIO line as an input, do not drive the line with voltages outside of its normal operating range. The DIO lines have a smaller operating range than the AI signals.
- Treat the DAQ device as you would treat any static sensitive device. Always properly ground yourself and the equipment when handling the DAQ device or connecting to it.

Power-On States

At system startup and reset, the hardware sets all DIO lines to high-impedance inputs. The DAQ device does not drive the signal high or low. Each line has a weak pull-up resistor connected to it.

Static DIO

Each of the NI USB-6008/6009 DIO lines can be used as a static DI or DO line. You can use static DIO lines to monitor or control digital signals. All samples of static DI lines and updates of DO lines are software-timed.

Event Counter

You can configure PFI 0 as a source for a gated inverter counter input edge count task. In this mode, falling-edge events are counted using a 32-bit counter. For more information about event timing requirements, refer to the *Specifications* section.

Timing accuracy..... 100 ppm of actual sample rate

Input range

Single-ended:..... ± 10 V

Differential..... ± 20 V¹, ± 10 V, ± 5 V, ± 4 V,
 ± 2.5 V, ± 2 V, ± 1.25 V, ± 1 V

Working voltage..... ± 10 V

Input impedance..... 144 k Ω

Overvoltage protection..... ± 35

Trigger source Software or external digital trigger

System noise²

Single-ended

± 10 V range 5 mV_{rms}

Differential

± 20 V range 5 mV_{rms}

± 1 V range 0.5 mV_{rms}

Absolute accuracy at full scale, single-ended

Range	Typical at 25 °C (mV)	Maximum over Temperature (mV)
± 10	14.7	138

Absolute accuracy at full scale, differential³

Range	Typical at 25 °C (mV)	Maximum over Temperature (mV)
± 20	14.7	138
± 10	7.73	84.8
± 5	4.28	58.4
± 4	3.59	53.1
± 2.5	2.56	45.1

¹ ± 20 V means that $|AI+ - (AI-)| \leq 20$ V. However, AI+ and AI- must both be within ± 10 V of GND. Refer to the *Connecting Differential Voltage Signals* for more information.

² System noise measured at maximum sample rate.

³ Input voltages may not exceed the working voltage range.

Compatibility TTL, LVTTTL, CMOS

Absolute maximum voltage range -0.5 to 5.8 V with respect to GND

Pull-up resistor 4.7 k Ω to 5 V

Power-on state Input

Digital logic levels

Level	Min	Max	Units
Input low voltage	-0.3	0.8	V
Input high voltage	2.0	5.8	V
Input leakage current	—	50	μ A
Output low voltage (I = 8.5 mA)	—	0.8	V
Output high voltage			
Active drive (push-pull), I = -8.5 mA	2.0	3.5	V
Open collector (open-drain), I = -0.6 mA, nominal	2.0	5.0	V
Open collector (open-drain), I = -8.5 mA, with external pull-up resistor	2.0	—	V

External Voltage

+5 V output (200 mA maximum) +5 V typical, +4.85 V minimum

+2.5 V output (1 mA maximum) +2.5 V typical

+2.5 V accuracy 0.25% max

Reference temperature drift 50 ppm/ $^{\circ}$ C max

Counter

Number of counters 1

Resolution 32 bits

Counter measurements Edge counting (falling-edge)

Counter direction Count up

Pull-up resistor 4.7 k Ω to 5 V

Maximum input frequency 5 MHz

Minimum high pulse width 100 ns

Safety

If you need to clean the module, wipe it with a dry towel.

Safety Voltages

Connect only voltages that are within these limits.

Channel-to-GND ± 30 V max,
Measurement Category I

Measurement Category I is for measurements performed on circuits not directly connected to the electrical distribution system referred to as *MAINS* voltage. *MAINS* is a hazardous live electrical supply system that powers equipment. This category is for measurements of voltages from specially protected secondary circuits. Such voltage measurements include signal levels, special equipment, limited-energy parts of equipment, circuits powered by regulated low-voltage sources, and electronics.



Caution Do not use this module for connection to signals or for measurements within Measurement Categories II, III, or IV.

Safety Standards

This product is designed to meet the requirements of the following standards of safety for electrical equipment for measurement, control, and laboratory use:

- IEC 61010-1, EN 61010-1
- UL 61010-1, CSA 61010-1



Note For UL and other safety certifications, refer to the product label or visit ni.com/certification, search by model number or product line, and click the appropriate link in the Certification column.

Hazardous Locations

The NI USB-6008/6009 device is not certified for use in hazardous locations.

Environmental Management

National Instruments is committed to designing and manufacturing products in an environmentally responsible manner. NI recognizes that eliminating certain hazardous substances from our products is beneficial not only to the environment but also to NI customers.

For additional environmental information, refer to the *NI and the Environment* Web page at ni.com/environment. This page contains the environmental regulations and directives with which NI complies, as well as other environmental information not included in this document.

Waste Electrical and Electronic Equipment (WEEE)



EU Customers At the end of their life cycle, all products *must* be sent to a WEEE recycling center. For more information about WEEE recycling centers and National Instruments WEEE initiatives, visit ni.com/environment/weee.htm.

电子信息产品污染控制管理办法（中国 RoHS）



中国客户 National Instruments 符合中国电子信息产品中限制使用某些有害物质指令 (RoHS)。关于 National Instruments 中国 RoHS 合规性信息，请登录 ni.com/environment/rohs_china。(For information about China RoHS compliance, go to ni.com/environment/rohs_china.)

Where to Go for Support

The National Instruments Web site is your complete resource for technical support. At ni.com/support you have access to everything from troubleshooting and application development self-help resources to email and phone assistance from NI Application Engineers.

National Instruments corporate headquarters is located at 11500 North Mopac Expressway, Austin, Texas, 78759-3504. National Instruments also has offices located around the world to help address your support needs. For telephone support in the United States, create your service request at ni.com/support and follow the calling instructions or dial 512 795 8248. For telephone support outside the United States, contact your local branch office:

Australia 1800 300 800, Austria 43 662 457990-0,
Belgium 32 (0) 2 757 0020, Brazil 55 11 3262 3599,
Canada 800 433 3488, China 86 21 5050 9800,
Czech Republic 420 224 235 774, Denmark 45 45 76 26 00,
Finland 358 (0) 9 725 72511, France 01 57 66 24 24,
Germany 49 89 7413130, India 91 80 41190000, Israel 972 3 6393737,
Italy 39 02 41309277, Japan 0120-527196, Korea 82 02 3451 3400,