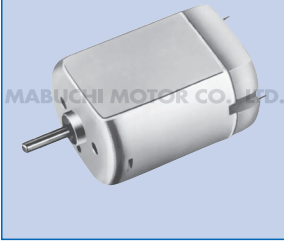


FK-280PA/SA

OUTPUT : 0.4W ~ 20W (APPROX)

カーボンブラシ | Carbon-brush motors | 碳精电刷



代表的用途 精密・事務機器：複写機・複合機 (MFP) / 自動販売機
家電機器

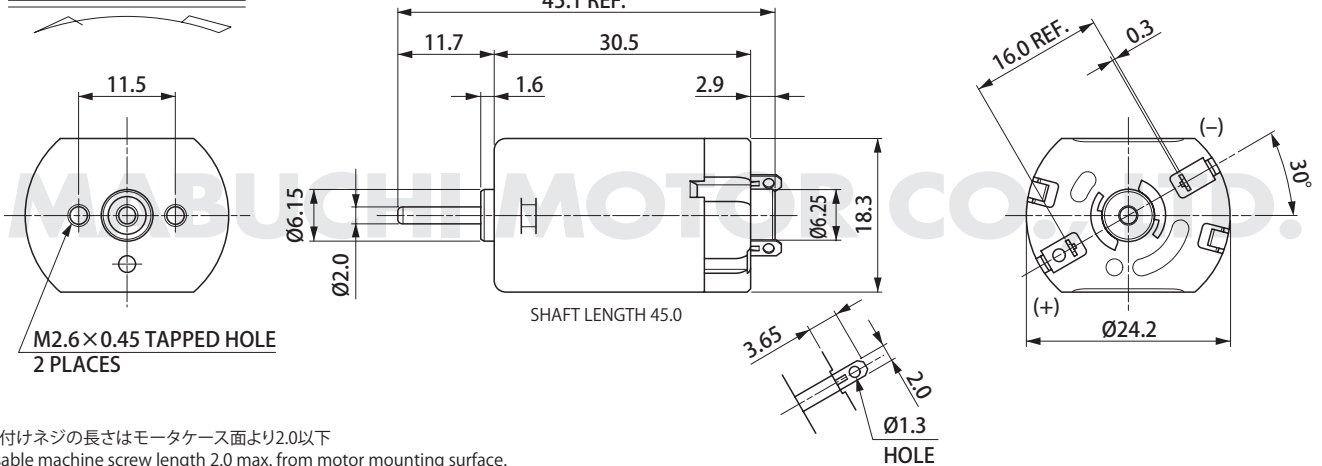
Typical Applications Precision and Office Equipment : Multifunction Printer / Vending Machine
Home Appliances

主要用途 精密、办公设备：复印复合机 (MFP)、自动售货机
家用电器

WEIGHT : 36g (APPROX)

MODEL	VOLTAGE		NO LOAD		AT MAXIMUM EFFICIENCY				STALL			
	OPERATING RANGE	NOMINAL	SPEED	CURRENT	SPEED	CURRENT	TORQUE	OUTPUT	TORQUE	CURRENT		
			r/min	A	r/min	A	mN-m	g-cm	W	mN-m	g-cm	A
FK-280PA-18165	10~15	12V CONSTANT	10500	0.090	9000	0.54	4.12	42.0	3.88	28.9	295	3.25
FK-280PA-10400	8~24	24V CONSTANT	8900	0.040	7360	0.19	3.38	34.5	2.60	19.6	200	0.92
FK-280SA-18165	10~15	12V CONSTANT	12300	0.075	10710	0.50	3.40	34.7	3.81	26.3	268	3.40

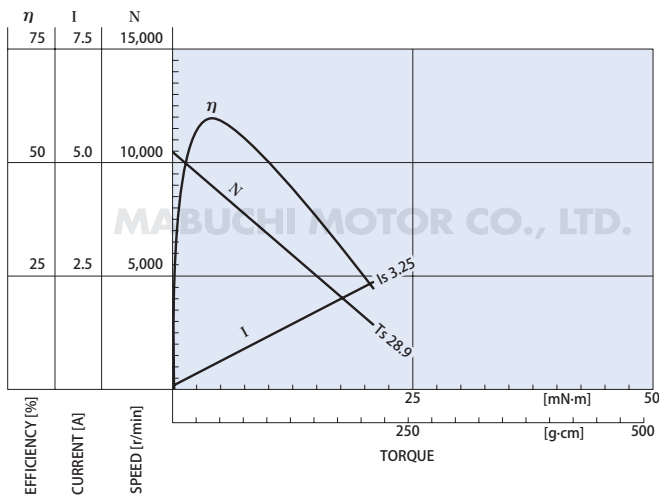
DIRECTION OF ROTATION



取付けネジの長さはモータケース面より2.0以下
Usable machine screw length 2.0 max. from motor mounting surface.
安装螺丝的长度须从马达壳面算起2.0以内

UNIT : MILLIMETERS

FK-280PA-18165 12.0V



FK-280SA-18165 12.0V

