

Frequency counters PM 6667 and PM 6668

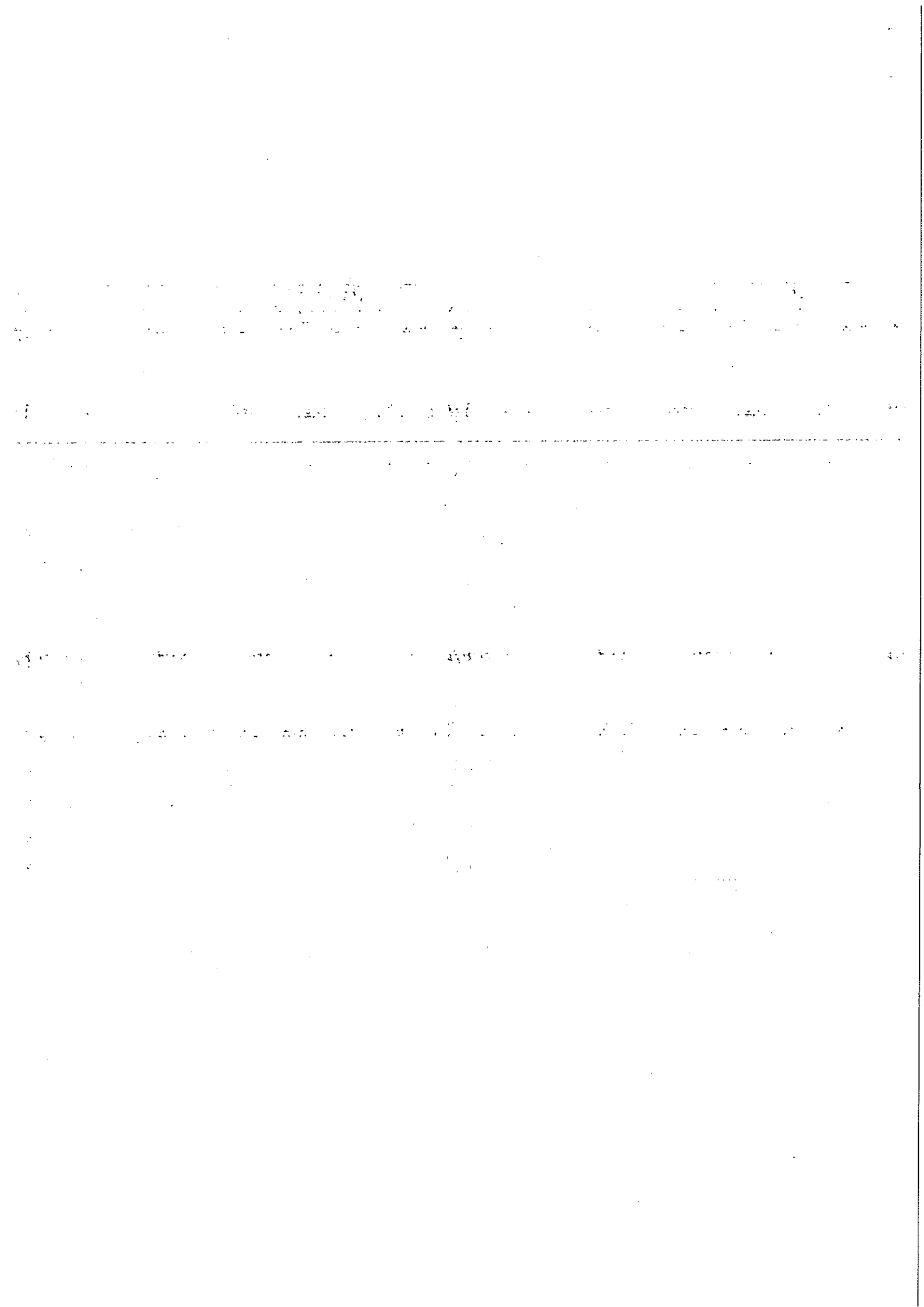
Instruction manual

9499 463 10399
801115

S&i
Scientific & Industrial equipment division



PHILIPS



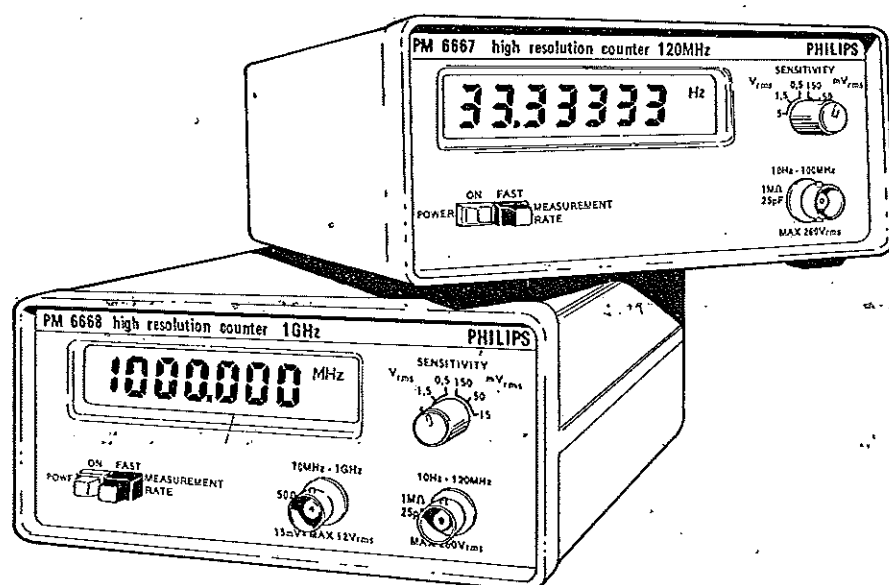
Frequency counters

PM 6667 and PM 6668

Instruction manual

9499 463 10399

801115



Operating manual	2
Gebrauchsanleitung	8
Notice d'emploi	14
Bruksanvisning	20
Istruzioni per l'uso	26
Gebruiksaanwijzing	32
Service manual	40



PHILIPS

1. Introduction

The PM 6667 and PM 6668 are microcomputer based frequency counters, spanning a frequency range of 10 Hz ... 120 MHz (PM 6667) and 10 Hz ... 1 GHz (PM 6668).

The use of the microcomputer allows a new approach in frequency measurements, that eliminates the traditional ± 1 cycle error. By making a multiple period measurement and computing the reciprocal value, these counters perform high resolution frequency measurements on low frequency signals.

Another microcomputer feature in these counters is the automatic range selection. The measuring result is always displayed with maximum resolution without overflow and with proper indication of Hz, kHz, MHz and decimal point.

There is choice between two measurement rates: NORMAL

with 7-digits resolution every second or FAST with 6 or 7-digits resolution every 200 ms. The fast mode is used for measuring changing frequencies as with tuning.

The following options are available: a more stable time base version with TCXO (/02 version), a rechargeable battery unit PM 9601 that can be mounted inside the counter, an impact resistant (ABS) protective carrying case PM 9602 and a 19" rack/panel mount adapter PM 9603.

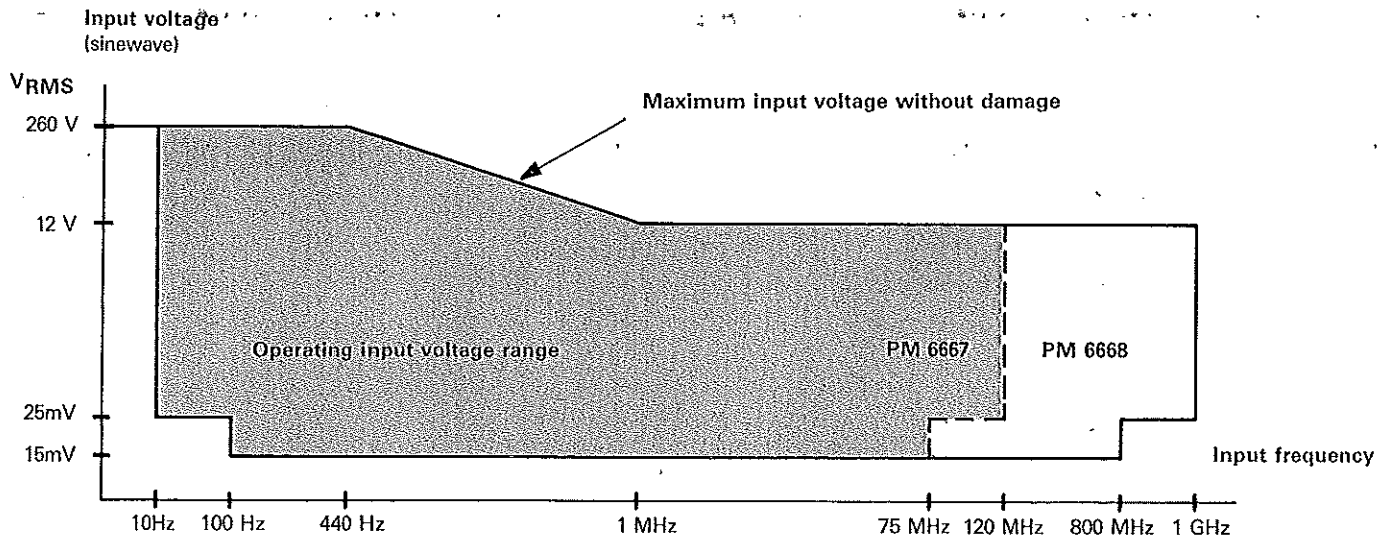
The 7-digit liquid crystal (LCD) display contains also the unit and decimal-point indicators.

After you switch on the counter, a self test is executed. Should an error be detected, it is shown on the display by a diagnostic code.

WARNING

Before connecting the instrument to the line voltage, read the safety regulations on page 5.

2. Technical specification



Frequency range

PM 6667: 10Hz ... 120MHz
PM 6668: 10Hz ... 1GHz

Input sensitivity

(in 15mVRMS position)

LF-input: 15mVRMS sinewave;
100Hz ... 75MHz
25mVRMS sinewave;
10Hz ... 120MHz

45mV_{p-p} for pulses with a pulse duration of ≥ 7 ns

RF-input: (PM 6668 only)

15mVRMS sinewave;
70MHz ... 800MHz
25mVRMS sinewave;
800MHz ... 1GHz

(see input voltage characteristics)

Input attenuation

LF-input: x 1 to x 300 in 6 positions
RF-input: automatic attenuation

Trigger level

A fixed (+, 0 or -) voltage is automatically applied to ensure proper

triggering on any waveform and duty cycle.

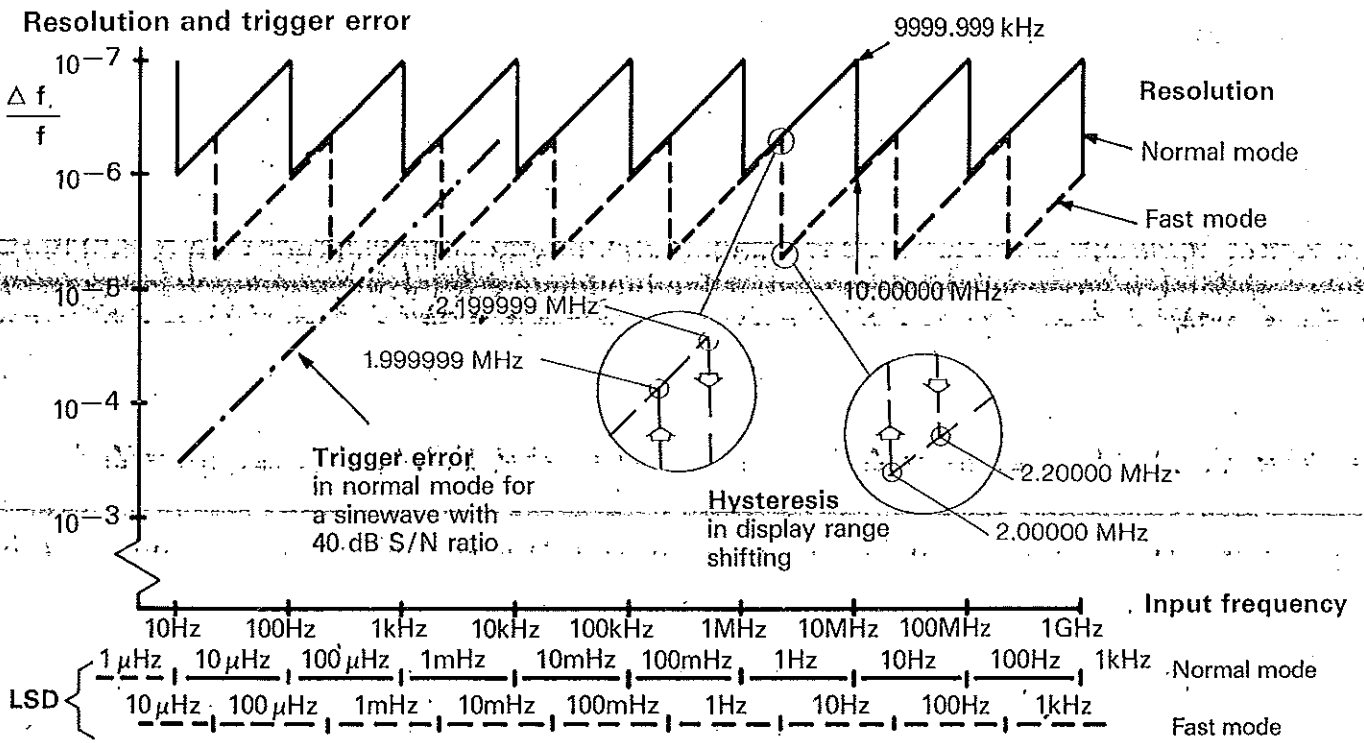
Coupling: AC

Input impedance

LF-input: $1\text{M}\Omega // \approx 25\text{pF}$
RF-input: 50Ω nominal with VSWR < 2 (PM 6668 only)

Max. input voltage without damage

DC: 300V
AC: 260VRMS at $\leq 440\text{Hz}$, falling to 12VRMS at 1 MHz (see input voltage characteristics above)



Measurement rate

Normal, (out): approx 1 measurement/s
Fast, (in): approx 5 measurements/s;
 at frequencies below 100 Hz, the measurement rate gradually slows down to one measurement per second to reduce the trigger error influence.

Display

7 digits, 11.5 mm, liquid crystal display with unit indication of Hz, kHz, MHz and LO BAT.

Inaccuracy (relative frequency error)

$$\pm \frac{\text{LSD}}{\text{input frequency}} \pm \text{rel. trigger error} \pm \text{time base error}$$

Rel. trigger error:

For any waveshape:

$$\frac{\text{Measurement rate}}{\text{Signal slope (V/s)}} \times \text{peak-to-peak noise voltage}$$

Time base characteristics

Time base version	/01 (standard)	/02 (TCXO)
X-tal frequency	10 MHz	10 MHz
Ageing	$\leq 5 \times 10^{-7}$ /month	$\leq 1 \times 10^{-7}$ /month
Temperature stability		
0 ... 50°C, ref. to +25°C	$\leq 1 \times 10^{-5}$	$\leq 1 \times 10^{-6}$
20 ... 30°C, ref. to +25°C	$\leq 3 \times 10^{-6}$ (typical)	$\leq 3 \times 10^{-7}$ (typical)

For sinewaves:

$$\frac{\text{Measurement rate}}{\text{Input frequency} \times \pi \times \text{S/N ratio}}$$

Example: for S/N ratio of 100 (40 dB) and sample rate of 1 measurement/s, the trigger error is

$$3 \times 10^{-3} \text{ input frequency}$$

Resolution

For the least significant digit (LSD) and relative resolution see graph above

Ext. reference input

Frequency: 10 MHz
 Input voltage range: 0.5V_{RMS}...12V_{RMS}
 Input impedance: approx. 2kΩ

Power requirements

115/230V, ±15%, 50 ... 60 Hz; 15VA or by built-in optional battery pack PM 9601 or by external 12V battery.

Safety

According to IEC 348 and CSA 556 B.

Line interference

Below class II CENELEC/CISPR

Dimensions and weight

Width: 160 mm (6,3 in)
 Height: 77 mm (3 in)
 Depth: 180 mm (7,1 in)
 Weight: 1,2 kg (2,6 lb)

Environmental conditions

Temperature:

Storage: -40°C ... +70°C
 Operating: 0°C ... +45°C

Altitude/barometer pressure:

Storage: 15000 m (50000ft) /15.2kN/m²
 Operating: 5000 m (15000 ft) /53.3kN/m²

Humidity:

10% ... 90% RH, (26°C dew point)

Vibration test: according IEC 68 Fc
Bump test: according IEC 68 Eb
Handling test: according IEC 68 Ec
Transport test: according NLN - L88

3. Accessories

3.1. Standard accessories (Supplied with the instrument)

- Line power cord.
- Instruction manual.

3.2. Optional accessories (To be ordered separately)

- PM 9601 Battery unit.
- PM 9602 Carrying case.
- PM 9603 19" rack/panel mount adapter.
- PM 9665 B 50kHz low pass filter, BNC—BNC.
- PM 9236 15 MHz, 10 M ohm attenuator probe set.
- PM 8935 250MHz, 10 M ohm attenuator probe set.
- Battery jack (see section 5 and 7.5 in this manual).

4. Battery unit PM 9601

4.1. General information

The PM 9601 is a rechargeable battery unit for inside mounting in the counters PM 6667 and PM 6668.

The unit contains a standard 6V, sealed battery of solid gel lead acid type. It further contains the charging and over-charge protection circuitry.

The battery unit is fixed with four screws in the metal inner-frame of the cabinet (see the installation instructions).

The battery is of a standard type and is available from variety of battery manufacturers. To obtain spare batteries, contact directly your battery supplier who stores fresh and fully charged batteries:

Manufacturer	Country of origin	Type	Capacity
Sonnenschein*	W-Germany	3GX3S	3 Ah
Varta*	W-Germany	Accu Pb30704063	3 Ah
Gold Gelyte	USA	Pb 626-1	2.6 Ah
Elpower	USA	Ep 626A-6	2.6 Ah
SAFT*	France	PA 601	4 Ah
Kono	Japan	6-26k	2.6 Ah

* recommended brand

WARNING

The capacity of rechargeable batteries degrades when the batteries are not used or recharged frequently. Read therefore carefully the instructions for storage!

4.2. Recharging

The battery is automatically recharged when the counter is connected to the line voltage and the power switch is in OFF position.

When "LO BAT" is indicated on the display, about 15 minutes of operation remain before recharging is needed.

The counter automatically switches over to internal battery supply if line voltage fails.

To prevent unwanted discharging of the batteries when the counter is not used, always use the power switch to turn off the counter, not the line power cord.

Recharging time (typical at 20°C) 10h to 90% of full capacity, 5h to 70% of full capacity.

4.3. Storing

Avoid storage of completely discharged batteries.

When the instrument is not in use, set power switch in OFF position but keep the instrument connected to the line voltage. The battery will then be kept fully charged and always ready for use. If the instrument can not be connected to the line voltage or when the battery pack is stored outside the instrument, recharging during 5 to 10h every 3 months is recommended.

If longer storage periods are needed, remove the fuse in the battery unit and store the battery cool and dry.

WARNING

Permanent use and storage at high temperatures adversely affects the life of the battery.

Prolonged storage and operation above +40°C and charging above +35°C should be avoided.

For storage at -40°C, the battery must be charged to at least 75% of its full capacity.

Other environmental conditions are the same as for the main instrument.

Additional weight for battery pack: 0.75 kg.

Fuse: 1.6A fast action.

5. External battery

An external 12V battery can be used to power the counter. Replace rear BNC connector by a battery jack as described in section 7.5. of this manual.

NOTE

The battery jack including the plug can be obtained free of charge from:

Philips Elektronikindustrier AB
Div. I
Supply Center
S-175 88 JÄRFÄLLA
Sweden

Please indicate the type number and the serial number of your instrument.

6. Safety regulations

(in accordance with IEC 348)

Before connecting the instrument to the line voltage, visually check the cabinet, controls and connectors etc. to ascertain that no damage has occurred in transit.

If any defects are apparent, do not connect instrument to the mains (line). The instrument must be disconnected from all voltage sources, and any high voltage points discharged before any maintenance or repair work is carried out.

If adjustments or maintenance of the operating instrument with covers removed is inevitable, it must be carried out only by a skilled person who is aware of the hazard involved.

NOTE

All parts on the primary side of the transformer are CSA approved and should be replaced only by original parts.

7. Installation

7.1. Line connection

Before connecting the instrument to the line, make sure it is set to the local line voltage. On delivery, the instrument is set to 115V or 230V $\pm 15\%$, which is indicated on the rear of the instrument. If the instrument has to be set to another voltage than indicated, contact your local service organization.

The service manual contains setting instructions.

7.2. Grounding

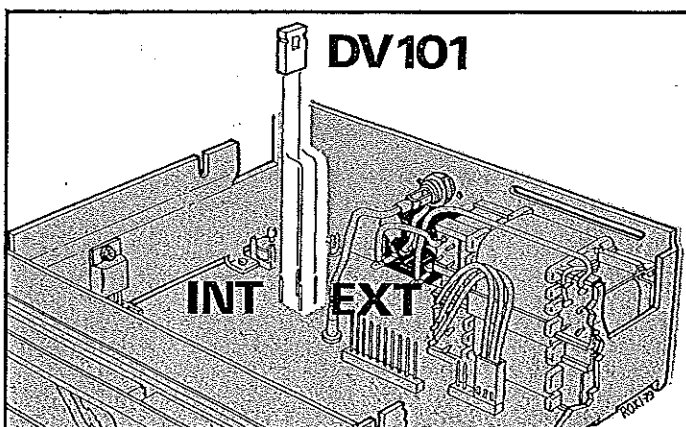
The instrument is grounded via the three-core line power cord plugged into an outlet with protective ground contact.

No other way of safety grounding is allowed.

7.3. Internal and external standard

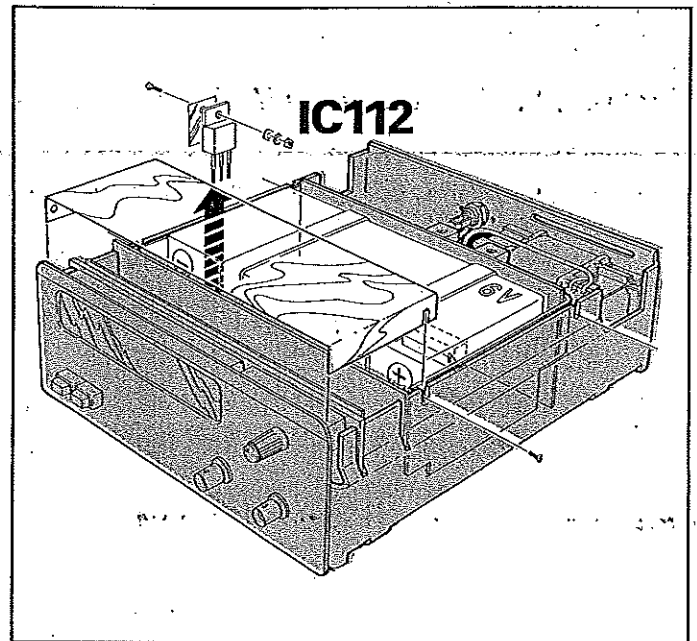
The counter can be set to external or internal standard by setting the jumper connector DV 101 as shown in the figure below.

At delivery the counter is set to internal standard.



7.4. Internal battery unit PM 9601

- Remove housing of counter.
- Remove the upper screening plate.
- Remove +5V regulator IC 112 (see figure below).
- Place battery unit as shown in figure below. Keep wires from battery to p.c. board along the edges of the battery.
- Mount the new screening plate as shown in figure below and secure it to the sidewalls of the counter with 2 screws.
- Secure unit with screws to sidewalls of counter.



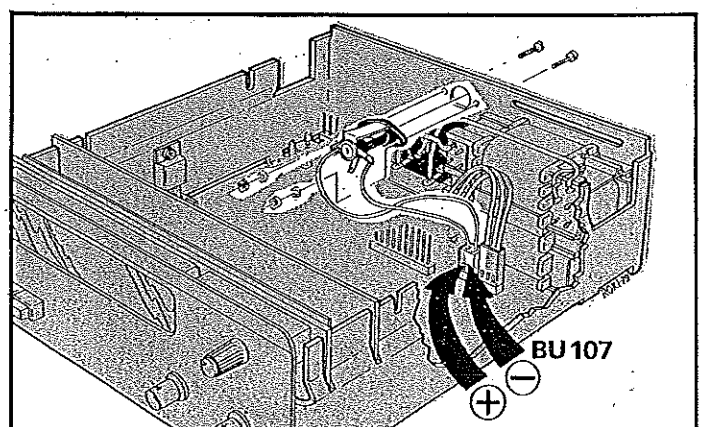
7.5. External Battery Jack

The rear BNC connector for External Standard can be replaced by a battery jack for External Battery supply. The jack fits to DIN 45323.

Proceed as follows to change from BNC connector to battery jack:

- Loosen coaxial cable from p.c. board and unsolder central lead from BNC connector.
- Replace BNC connector with battery jack and connect the two-pole connector so it fits the polarity of your battery plug. See figure below.

The two pins connector (p/o BU 107) is diode-protected to prevent damage if the input polarity is shifted.



8. Controls & connectors

POWER ON

Turns counter on/off. **CAUTION:** This is a secondary power switch. Even in the POWER OFF position, the counter contains live conductors and parts. The line cord has to be removed to fully unpower the counter.

In case of line power failure the counter automatically switches over to battery supply.

MEASUREMENT RATE

Sets measurement rate to one of two speeds. NORMAL (released) or FAST (depressed).

NORMAL rate means about 1 measurement/s and FAST rate about 5 measurements/s. The measurement rate in the FAST position will be reduced at lower frequencies down to about 1 measurement/s at 10Hz.

SENSITIVITY

Sets input sensitivity in 6 steps from 15mV_{RMS} to 5 V_{RMS}.

NOTE: to reduce the influence from noise and interference, never set to higher sensitivity than necessary.

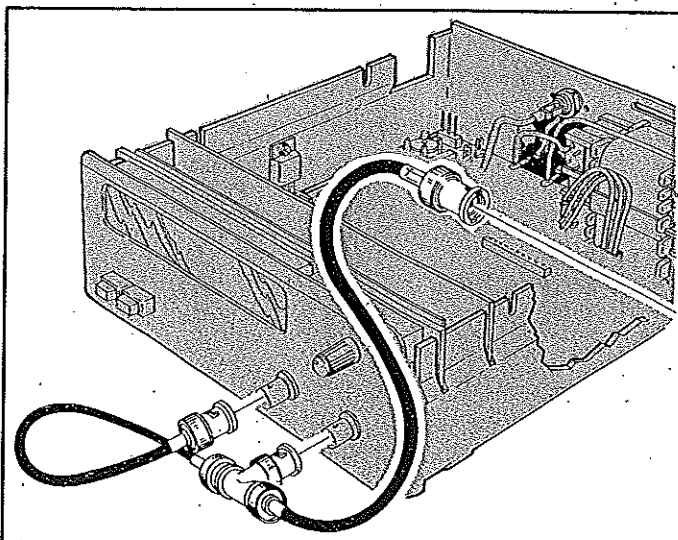
LF input

A high-ohmic (1Mohm), AC-coupled input for signals with frequencies from 10Hz to 120MHz. An auto-trigger circuit ensures correct triggering on both sinewaves and pulses with any duty factor.

RF input (PM 6668 only)

A low-ohmic (50 ohm), AC-coupled input for sinewave signals with frequencies from 70MHz to 1GHz.

The microcomputer of the counter detects the presence of an RF signal and selects this input automatically when the input frequency is high enough for counting. This makes it possible to connect the same signal to both inputs via a T-piece. See figure below.



The counter will then switch automatically between the tv inputs when the signal frequency is changing, e.g. when measuring a frequency sweep.

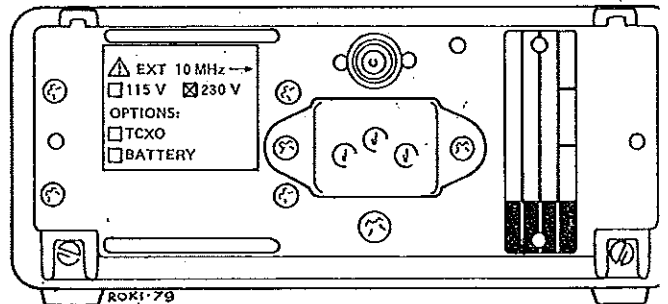
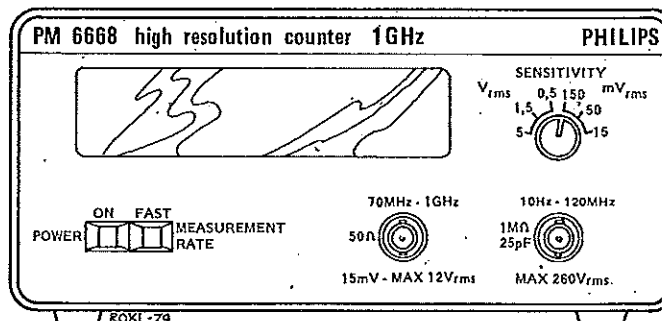
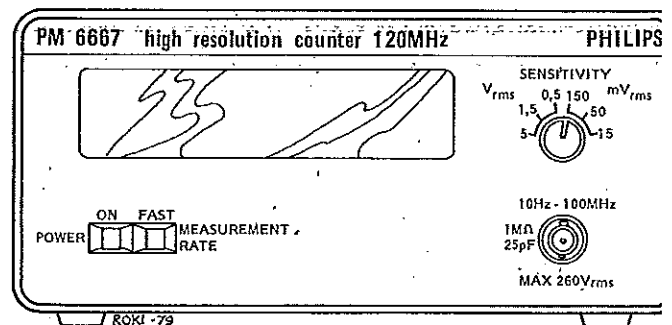
More information on the input signal is given in the Technical Specifications.

EXTERNAL STANDARD or BATTERY

BNC input for external time base standard or, as option extra, battery jack for external battery.

Line voltage receptacle

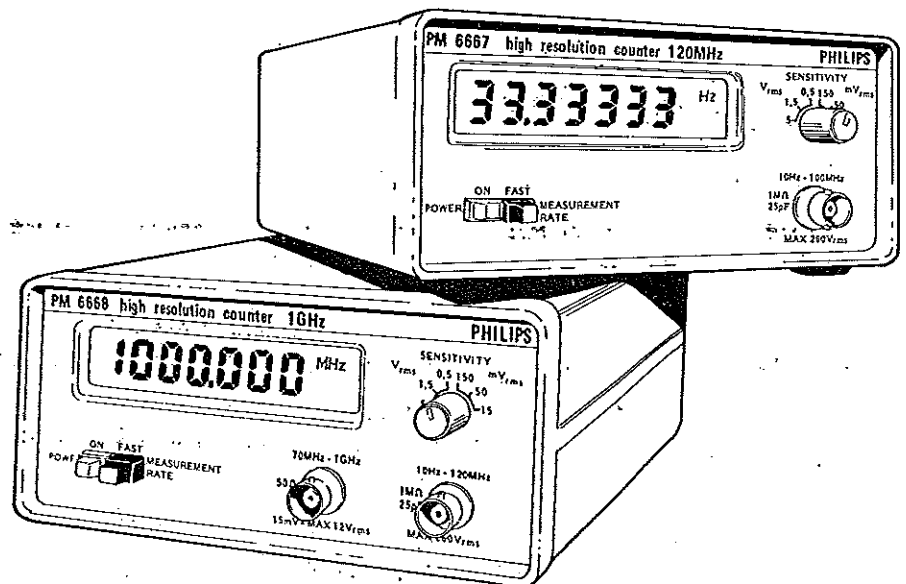
Input for line voltage. Always use the three-core line power cord supplied with the counter.





PHILIPS

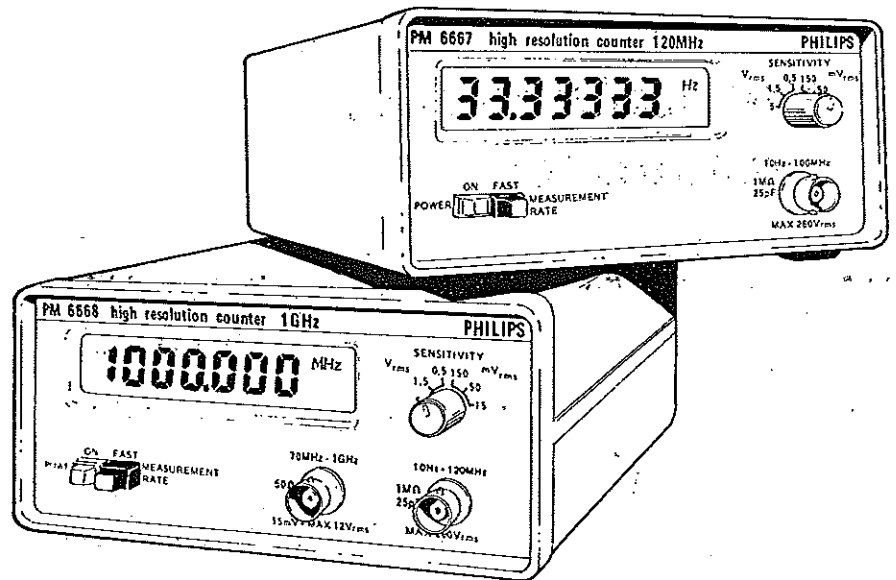
Gebrauchsanleitung





PHILIPS

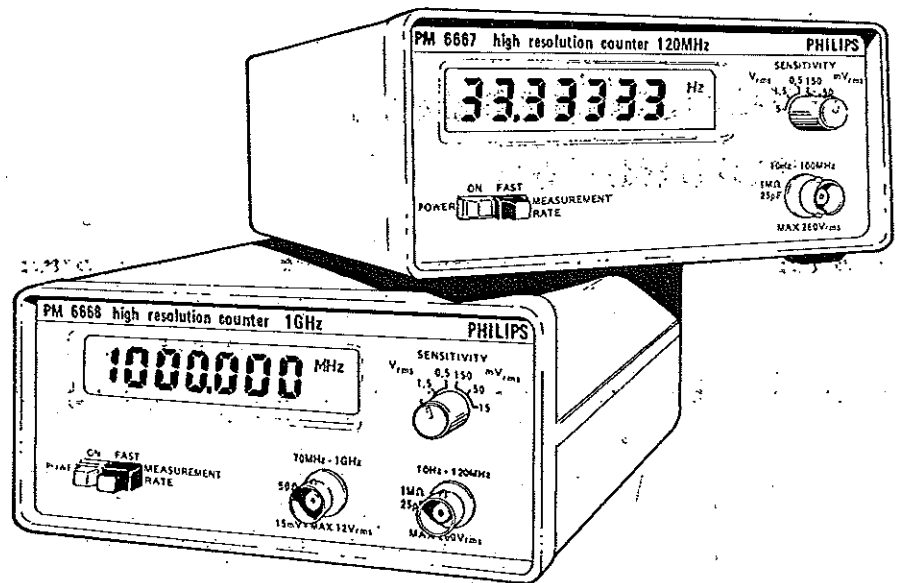
Notice d'emploi





PHILIPS

Notice d'emploi



1. Introduction

Le PM 6667 et le PM 6668 sont des fréquencesmètres à micro-processeur offrant une gamme de fréquence respectivement de 10 Hz ... 120 MHz (PM 6667) et de 10 Hz ... 1 GHz (PM 6668).

En mesure de fréquence, l'utilisation du micro-calculateur permet d'éliminer l'erreur traditionnelle de ± 1 cycle. En effectuant une mesure en période multipliée et en calculant la valeur réciproque, ces compteurs fournissent une très haute résolution même sur des signaux en basse fréquence.

L'avantage de l'utilisation du micro-calculateur dans ces compteurs est la sélection automatique de gammes. Le résultat d'une mesure est toujours affiché avec un maximum de résolution, sans dépassement et avec l'indication appropriée de l'unité: Hz, kHz, MHz et point décimal.

Il offre le choix entre deux cadences de mesure: NORMAL,

avec une résolution de 7 chiffres par seconde, ou RAPIDE (fast) avec une résolution de 6 à 7 chiffres toutes les 200.ms. Le mode rapide est utilisé pour l'observation des fréquences variables et pour les réglages de ces fréquences.

Les options suivantes sont offertes: une base de temps plus stable, avec TCXO (version 02), un bloc batterie rechargeable PM 9601 (monté à l'intérieur de l'appareil), une malette de transport PM 9602 et un adaptateur PM 9603 pour montage sur panneau ou rack 19".

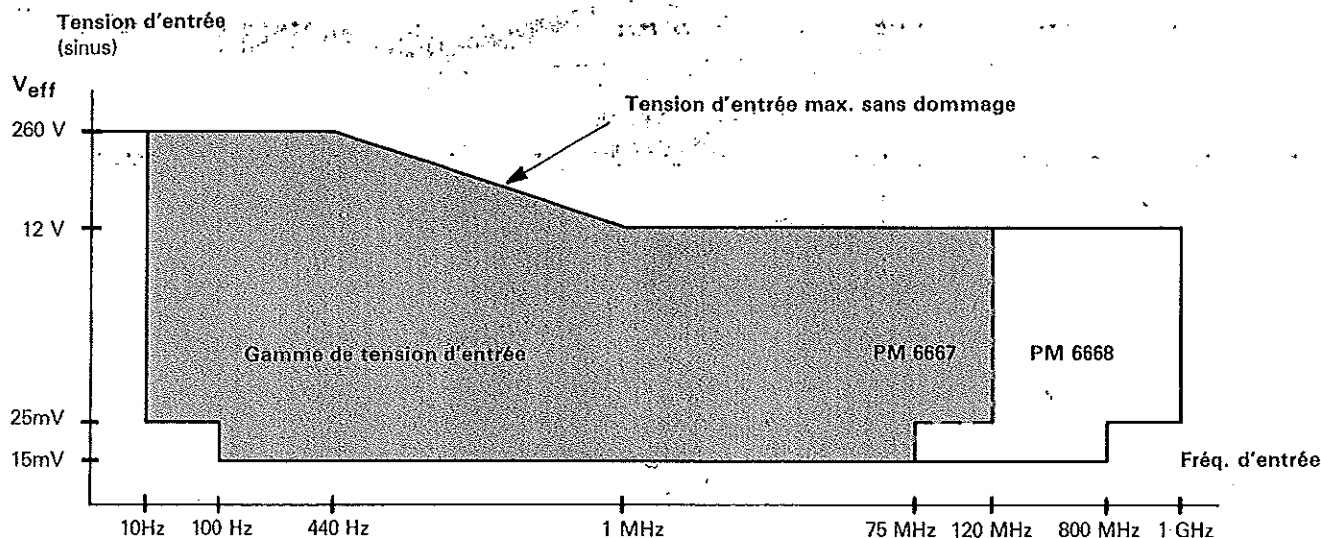
Le cadran à 7 chiffres à cristal liquide contient les voyants de l'unité de mesure et la virgule décimale.

Après la mise en marche, l'appareil effectue un programme d'auto-contrôle. Au cours de celui-ci, si une erreur apparaît, elle est aussitôt détectée et affichée suivant le code de diagnostic.

AVERTISSEMENT

Avant de brancher l'appareil au secteur, lire attentivement les mesures de sécurité décrites en page 17.

2. Caractéristiques techniques



Gamme de fréquence

PM 6667: 10Hz ... 120MHz
PM 6668: 10Hz ... 1GHz

Sensibilité d'entrée (en position 15mV_{eff})

Entrée BF: 15mV_{eff} (sinus)
100Hz ... 75MHz

25mV_{eff} (sinus)
10Hz ... 120MHz

45mVc à c pour impulsions de largeur ≥ 7 ns

Entrée RF: (PM 6668 seulement)

15mV_{eff} (sinus)
70MHz ... 800MHz

25mV_{eff} (sinus)
800MHz ... 1GHz

(voir caractéristiques des tensions d'entrées)

Atténuation d'entrée

Entrée BF: x 1 à x 300 en 6 positions

Entrée RF: atténuation automatique

Niveau de déclenchement

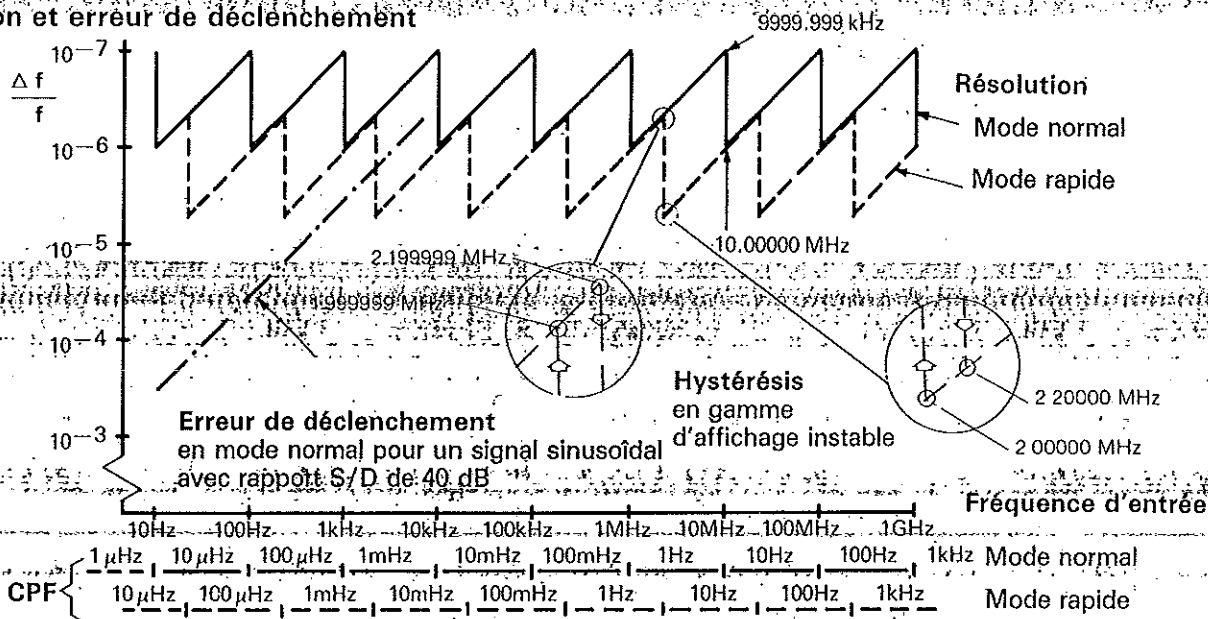
Fixe (+, 0 ou -) la tension est appliquée automatiquement pour assurer le déclenchement, quels que soient la forme et le rapport cyclique du signal.

Couplage: CA

Impédance d'entrée

Entrée BF: 1M Ω // \approx 25pF nominal
Entrée RF: 50 Ω nominal avec un TOS < 2 (PM 6668 seulement)

Résolution et erreur de déclenchement



Tension d'entrée max.

CC: 300V
 CA: 260V_{eff} de 10Hz à 440Hz, descend régulièrement jusqu'à 12V_{eff} à 1 MHz (voir caractéristiques de la tension d'entrée ci-dessus).

Cadence de mesure

Normale (sortie): approx 1 mesure/s
 Rapide (entrée): approx 5 mesures/s*

* aux fréquences inférieures à 100Hz, la cadence de mesure descend graduellement en dessous de 1 mesure/s pour réduire l'erreur due au déclenchement.

Affichage

Affichage à cristaux liquides de 7 chiffres de 11,5 mm avec indication de l'unité: Hz, kHz, MHz et "LO-BAT".

Précision (erreur relative de fréquence)

$$\pm \frac{\text{CPF}}{\text{Fréquence d'entrée}} \pm \text{err. relat. de déclench.}^{**}$$

± erreur de base de temps

** Erreur relative de déclenchement:

Pour toutes formes d'ondes:

$$\frac{\text{Cadence de mesure}}{\text{Pente du signal (V/s)}} \times \text{tension de bruit c. à c.}$$

Pour ondes sinusoïdales:

$$\frac{\text{Cadence de mesure}}{\text{Fréquence d'entrée} \times \pi \times \text{rapport S/B}}$$

Exemple: pour un rapport S/B de 100 (40dB) et une cadence de mesure de 1 par Sec.

L'erreur de déclenchement est de:

$$\frac{3 \times 10^{-3}}{\text{fréquence d'entrée}}$$

Résolution

Pour le chiffre de poids le plus faible (CPF), la résolution relative est donnée par le graphique ci-haut.

Entrée référence extérieure

Fréquence: 10MHz
 Gamme de tension: 0,5V_{eff}...12V_{eff}
 Impédance: approx. 2kΩ

Alimentation

115/230V, ±15%, 50 ... 60Hz, 15VA ou par batterie extérieure 12V, ou par bloc batterie interne (option) type PM 9601.

Dimensions et poids

Largeur: 160 mm
 Hauteur: 77 mm
 Profondeur: 180 mm
 Poids: 1,2 Kg

Caractéristiques des bases de temps

Version	/01 (standard)	/02 (TCXO)
Fréquence du cristal	10MHz	10MHz
Stabilité/temps	≤ 5 × 10 ⁻⁷ /mois	≤ 1 × 10 ⁻⁷ /mois
Stabilité/température	0 ... 50°C réf. à 25°C	≤ 1 × 10 ⁻⁶
	20 ... 30°C réf. à 25°C	≤ 3 × 10 ⁻⁶ (typiques)

Conditions d'environnement

Température:
 Stockage: -40°C ... +70°C
 Fonctionnement: 0°C ... +45°C

Pression barométrique/altitude:

Stockage: 15000 m / 15,2kN/m²
 Fonctionnement: 5000 m / 53,3kN/m²

Humidité: 10% ... 90% RH (point de rosée 26°C)

Vibrations: conforme IEC 68 Fc
 Chocs: conforme IEC 68 Eb
 Manutention: conforme IEC 68 Ec
 Transport: conforme NLN - L88

Alimentations:

115/230V, ± 15% 50 ... 60 Hz, 15 VA ou par unité de batterie incorporée, en option:

Sécurité

Conforme aux normes IEC 348 et CSA 556 B.

Interférences Secteur

Inférieures à la classe II CENELEC/CISPR.

3. Accessoires

3.1. Accessoires standards (fournis avec l'appareil)

- Un cordon secteur.
- Une notice d'emploi.

3.2. Accessoires en option (à commander séparément)

- Une unité de batterie PM 9601.
- Une malette de protection PM 9602.
- Un adaptateur de montage PM 9603 sur panneau/rack 19".
- Une sonde d'atténuation 10 Mohm, 15 MHz, PM 9236.
- Une sonde d'atténuation 10 Mohm, 250 MHz, PM 8935.
- Une fiche batterie (voir sections 5 et 7.5 de ce manuel).
- Un filtre passe-bas, 50KHz BNC—BNC, PM 9665 B.

4. Unité de batterie PM 9601

4.1. Généralités

La PM 9601 est une unité de batterie rechargeable, pouvant être montée à l'intérieur des compteurs PM 6667 et PM 6668.

Cette unité contient une batterie normale et étanche de 6V, au gel d'acide de plomb. Elle contient en plus, un circuit de protection de charge et de surcharge.

L'unité de batterie est mise en place avec quatre vis, sur un panneau métallique à l'intérieur du coffret. (Voir les instructions de montage.) La batterie étant standard, est disponible sur le marché et chez de nombreux fabricants. Pour obtenir des batteries de rechange, contacter directement votre fournisseur, qui dispose de batteries fraîches et chargées à point.

Fabricant	Pays d'origine	Type	Capacité
Sonnenschein*	Allemagne Féd.	3GX3S	3 Ah
Varta*	Allemagne Féd.	Accu Pb30704063	3 Ah
Gold Gelyte	Etats-Unis	Pb 626-1	2.6 Ah
Elpower	Etats-Unis	Ep 626A-6	2.6 Ah
SAFT*	France	PA 601	4 Ah
Kono	Japon	6-26k	2.6 Ah

* Marque recommandée

AVERTISSEMENT

La capacité des batteries rechargeables se dégrade quand les batteries ne sont pas utilisées ou rechargées fréquemment. Lire alors attentivement les instructions de stockage du fabricant.

4.2. Recharge

La batterie est rechargée automatiquement pendant que le compteur est branché au secteur, même si l'appareil n'est pas en fonctionnement.

Quand l'affichage indique la tension basse (LO BAT), il reste encore 15 minutes de charge avant qu'une recharge soit nécessaire.

En cas d'une panne secteur, la batterie alimente automatiquement le compteur.

Pour prévenir toute décharge indésirable des batteries pendant que le compteur reste hors d'usage, se servir toujours du commutateur de tension pour interrompre l'alimentation, et non le cordon secteur.

Temps de recharge (typique à 20°C): 90% de la capacité totale en 10 heures, et 70% de la capacité totale en 5 heures.

4.3. Stockage

Eviter le stockage de batteries complètement déchargées. Quand l'appareil reste hors d'usage, mettre le commutateur de tension en position fermée "OFF" mais laisser l'appareil branché au secteur. La batterie sera alors chargée à point et toujours prête à l'usage. Au cas où la batterie est stockée à l'extérieur de l'appareil, ou quand l'appareil ne peut pas être branché au secteur, il est recommandé de recharger la batterie durant 5 à 10 heures tous les trois mois.

En cas d'une plus longue période de stockage, retirer le fusible dans l'unité de batterie et tenir la batterie au frais et au sec.

AVERTISSEMENT

L'usage permanent et le stockage sous de hautes températures, affectent défavorablement la longévité de la batterie.

Eviter le stockage et l'usage prolongés sous une température supérieure à +40°C et ainsi que la charge sous une température supérieure à +35°C. Pour le stockage à une température de -40°C, la batterie doit être chargée au moins à 75% de sa capacité totale.

Les autres conditions d'environnement sont identiques à celles du compteur.

Poids additionnel de l'unité de batterie: 0.75 Kg.

Fusible: 1.6A action rapide.

5. Batterie externe

Une batterie externe peut être utilisée pour alimenter le compteur. Remplacer le connecteur BNC à l'arrière par une fiche batterie comme décrit à la section 7.5. de ce manuel.

NOTE

Pour obtenir gratuitement une fiche batterie, écrire à:

SA. Philips Industrielle et Commerciale
Division Sciences et Industrie
105 Rue de Paris
93002 BOBIGNY
Tel. 830 11 11

Indiquer s.v.p., les numéros de type et de série de votre appareil.

6. Mesures de sécurité

(conformes à la norme IEC 348)

Avant de brancher l'appareil au secteur, examiner attentivement le coffret, les organes de commande et les connecteurs etc, afin de s'assurer que l'appareil n'a subi aucun dommage durant le transport ou le stockage.

En défaut quelconque étant constaté, ne pas brancher l'appareil au secteur. Débrancher l'appareil de toute source d'alimentation et décharger tout point de connexion sous haute tension avant d'entreprendre l'entretien ou la réparation.

Il est inévitable d'enlever les capots du compteur pour procéder à des ajustements ou à une maintenance de l'appareil en opération, alors confier le travail à un personnel qualifié et au courant des risques impliqués.

NOTE

Toutes les pièces se trouvant sur le coté primaire du transformateur sont reconnues par la CSA, et en cas de besoins devront être remplacées seulement par des pièces détachées d'origine. Le manuel d'entretien fournit les instructions utiles au réglage de la tension.

7. Installation

7.1. Raccordement secteur

Avant de brancher l'appareil au secteur, s'assurer qu'il est adapté à la tension secteur locale. A la livraison l'appareil est adapté à une gamme de 115V ou 230V $\pm 15\%$ selon l'indication sur le panneau arrière. Si l'appareil doit être adapté à une autre gamme de tension, contacter alors votre agent local.

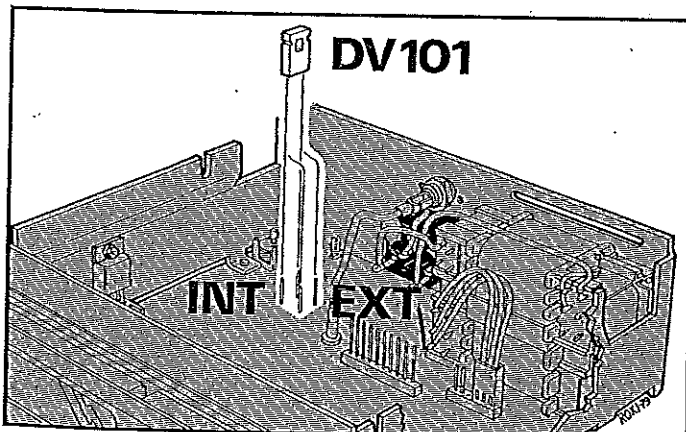
7.2. Mise à la terre

L'appareil est mis à la terre par le cordon secteur à trois conducteurs, enfiché dans une prise secteur comportant une terre. Il est interdit d'avoir recours à d'autres méthodes de mise à la terre.

7.3. Etalon interne et externe

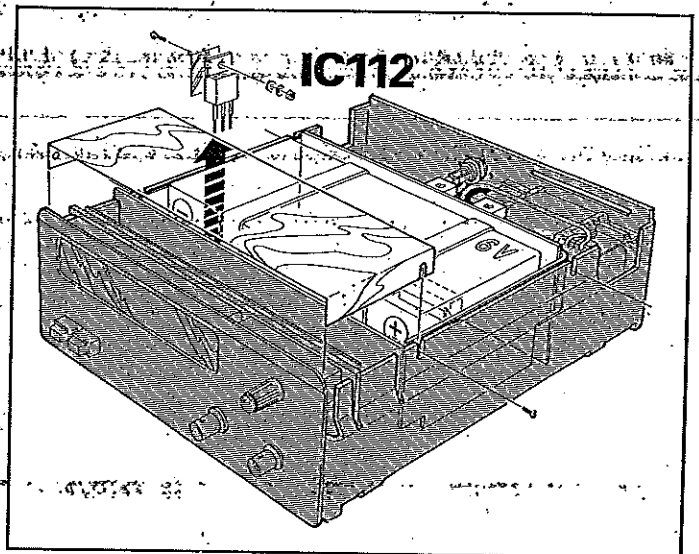
Le compteur peut être adapté à un étalon interne ou externe en utilisant le connecteur amovible DV 101, comme dans l'illustration ci-dessous.

A la livraison, le compteur est adapté à un étalon interne.



7.4. Unité de batterie interne PM 9601

- Enlever le capot du compteur.
- Enlever le panneau de blindage supérieur.
- Enlever le régulateur +5V IC 112 (voir ci-dessous).
- Placer ensuite l'unité de batterie comme dans la figure ci-dessous. Placer les conducteurs allant de la batterie jusqu'à la plaquette cuivrée sur les bords de la batterie.
- Monter le nouveau panneau de blindage comme indiqué dans la figure ci-dessous et en assurer la fixation aux panneaux latéraux du compteur avec 2 vis.
- Assurer enfin la mise en place de l'unité, aux panneaux latéraux du compteur avec des vis.



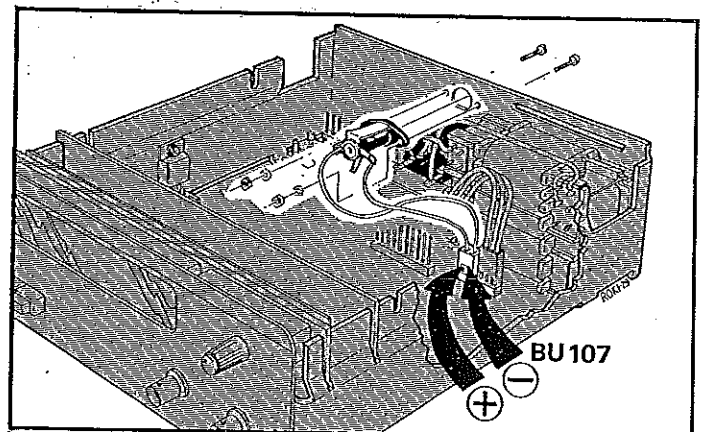
7.5. Fiche batterie externe

Le connecteur BNC à l'arrière, pour étalon externe, peut être remplacé par une fiche batterie pour alimentation batterie externe. La fiche correspond à la norme DIN 45323.

Pour remplacer le connecteur BNC par une fiche batterie, procéder comme suit:

- Détacher le câble coaxial de la plaquette cuivrée, et désolder le conducteur central du connecteur BNC.
- Remplacer le connecteur BNC par une fiche batterie, et enficher le connecteur à double-pôles de façon à ce qu'il coïncide avec la polarité de votre fiche batterie. Voir la figure ci-dessous.

Le connecteur à deux pôles (p/o BU 107) contient une diode de protection contre tout changement de polarité.



8. Organes de commande et Connecteurs

POWER ON

Permet la mise en route (ON) et la mise hors service (OFF) du compteur. ATTENTION: C'est un commutateur secondaire d'alimentation. Même en position POWER OFF le compteur contient toujours des conducteurs et pièces sous tension. Pour interrompre complètement l'alimentation du compteur, débrancher le cordon secteur. En cas d'une panne secteur, la batterie alimente automatiquement le compteur.

MODE DE MESURE (measurement rate)

Réglage du mode de mesure sur un des deux cadences de mesure NORMAL (position relâchée) ou FAST (rapide, position enfoncée). NORMAL signifie 1 mesure/seconde et FAST (rapide) signifie 5 mesures/seconde. En mode FAST (rapide) la vitesse diminuera jusqu'à 1 mesure/seconde aux fréquences basses telle que 10Hz.

SENSITIVITY (sensibilité)

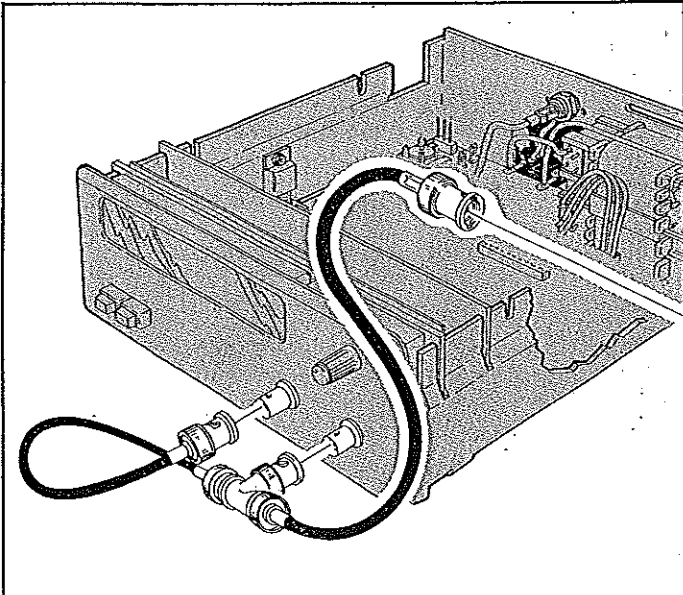
Réglage de la sensibilité d'entrée en 6 gammes; de 15mV_{eff} à 5 V_{eff}.

NOTE: Pour réduire toute influence de bruits et d'interférences, ne jamais augmenter la sensibilité inutilement.

Entrée RF (PM 6668 seulement)

Une entrée à basse impédance (50 ohm) et à couplage capacitif, pour les signaux dont les fréquences sont de 70MHz à 1GHz.

Le micro-ordinateur du compteur détecte la présence d'un signal RF et le sélectionne automatiquement, quand le signal d'entrée est suffisamment important pour le comptage. En conséquence il est possible de coupler simultanément le même signal aux deux entrées, par un connecteur-T (voir la figure ci-dessous).



Le compteur sélectionnera alors automatiquement, l'une des deux entrées, selon le changement de fréquences, ex. — pour la mesure en balayage fréquences.

Pour de plus amples détails sur le signal d'entrée, voir Caractéristiques Techniques.

Entrée BF

Une entrée à haute impédance (1 Mohm) et à couplage capacitif, pour les signaux dont les fréquences sont de 10Hz à 120MHz. Un circuit à auto-déclenchement assure le déclenchement correct sur les sinusoïdales et les impulsions, quel que soit le rapport cyclique.

ETALON EXTERNE ou BATTERIE

Entrée BNC pour étalon base de temps externe, ou comme option supplémentaire, fiche batterie pour batterie externe.

Douille tension secteur

Entrée tension secteur. Se servir toujours du cordon secteur à trois conducteurs fourni avec le compteur.

